



# BUILT-IN APPLIANCES

# CONTENTS

## Cooking

- Oven 4-30
- Hob 31-56
- Hood 57-66

## Dishwasher

- 67-86

## Products Dimension

- 87-90





## Change for the Better

Change is the only constant in life. It's happening right now, in the very moment you are reading this sentence. And it will keep on happening after reading this story - with you and Beko.

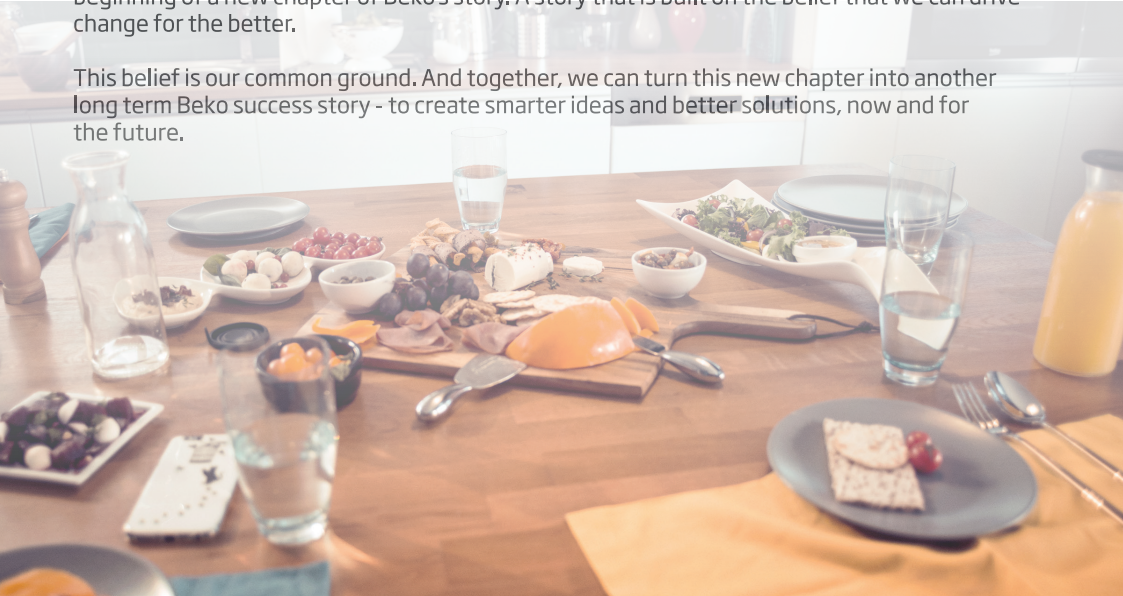
Beko set out in 1955 - with one washing machine. With one goal: Bringing products to everyone. And today we are the second largest brand within the European white goods sector.

We are always driven by the constant desire to innovate for a better life. Thanks to this approach, we have become one of the leading home appliances company in the world and over the last five years Beko became the fastest growing brand in Europe - with 30,000 employees, 18 global production sites and products sold in more than 140 countries.

But no matter where our success stories begin, each and everyone of them starts with our inspiration to keep on changing for the better. The reason that we are always trying for the better is people. They have been shaping our vision, setting our course and helping us to navigate to our goals. Their actions, enthusiasm and spirit are, in truth, what has been inspiring us today as in yesterday, for more than 60 years.

And this is what we want to embody, in our actions and in our appearance - with our new logo. At first sight, it's representing our innovating spirit and illustrating Beko's energetic way of approaching tomorrow's challenges. But, in fact, this is much more than just a logo. It's the beginning of a new chapter of Beko's story. A story that is built on the belief that we can drive change for the better.

This belief is our common ground. And together, we can turn this new chapter into another long term Beko success story - to create smarter ideas and better solutions, now and for the future.









Making cooking fun

everyday







Steam cooking 0:44  
100 00:30 000  
B  
= < > | 14 |

# BUILT-IN OVENS

COOKING



## OVEN TYPES



### Conventional Ovens

If you're into traditional cooking, you need a Conventional Oven. It cooks using traditional heating elements, and in fan equipped models the fans help distribute the hot air more evenly throughout the oven cavity, allowing for more cooking precision. You have two dimensions to choose from: 82 L and 71 L.







## Combi Microwave Ovens

CombiMicrowave Ovens can work as traditional ovens, microwave ones, or a combination of both. So you can use them to slow cook a fancy dinner in the conventional oven mode, heat a meal in seconds in the microwave mode, or add microwave power to the regular oven in the combi mode so it cooks faster, without compromising that traditional oven taste. Available in 40 L capacity.



## DISPLAY TYPES



## Animated LED Screen

The electronic programmer with animated screen enables the user to navigate with symbols. The screen shows the selected cooking function, as well as the recommended tray level for the best cooking results. Also cooking duration can be programmed for an immediate or delayed start. Cooking temperature can be set between 40 °C and 280 °C, at intervals as precise as 5 °C.





## Text LCD Screen

New Text LCD screen will serve the best tastes of the world and local specialties by offering up to 52 recipe alternatives. All you need to do is to place your food in the oven and select the appropriate automatic cooking program from the menu.





COOKING TECHNOLOGIES





# Split&Cook®

*Two ovens in one*

With Beko Split&Cook® technology, it's like having 2 ovens in one. A separator splits the oven in half, letting you use the top half, bottom half or whole oven. So vegans-who-love-carnivores can stay romantic and happily cook two different meals at the same time, at different temperatures and for different durations without mixing flavours. There's no need for lovers tiffs. It's possible to have up to 80°C temperature difference between the top and bottom ovens - which can come in very handy. And there's even the option to save energy. If the carnivore goes out for a steak one evening, the vegan can cook a meal for one using only the bottom half of the oven and save 40%\* energy too. The Beko Split&Cook® oven won't take as long to heat up either so cooking is quicker.

10 special intelligent automatic cooking programs for the twin mode and more than 70 special automatic cooking programs for bottom cavity and single modes make it easy to use. So vegans-who-are-in-love-with-carnivores can live and eat like the happy couple they are.

\*Tested by internal laboratories

## COOKING TECHNOLOGIES



Surf®

*Multi-level even cooking*

Beko Surf® technology gives the high performance cooking that your masterpieces deserve. In addition to the hot air from the fan, hot air is blown from the side and back walls of the oven into the centre, allowing everything to cook evenly. This uniform air circulation cooks every inch of your proud creations to perfection. If you fancy multi-level cooking you can, without mixing the flavours or aromas.



PizzaPro™

*5 min pizza at 310°C*

Beko PizzaPro™ gets the oven up to a really hot 310°C. This gives the pizza that really crispy crust (what the pros call 'oven spring' for the dough) while keeping the topping nice and juicy. Impressively, this gives the same results as the original stone oven used in pizzerias.






## SteamAid™ Cooking

*Tender inside & crisp outside*

With Beko SteamAid™ you can add a new technique to your repertoire. Not only will your food taste amazing, it keeps all those lovely nutrients in too. So whether you're cooking veggies, meat or fish, they'll be perfectly crisp on the outside and moist on the inside. Delicious. We've worked with top chefs to give you 52 automatic cooking programs. But you also have the option to go manual – steam can be manually injected into the oven up to 3 times during the cooking cycle.





## COOKING FUNCTIONS

### Defrosting/ Cooling

In defrost mode, no heating mood is used. Only the fan is activated to circulate the air inside the oven. You can gently defrost frozen food at room temperature, or cool cooked food.

### Fan Assisted Cooking

This function provides even distribution of heat generated by the upper and lower heating elements, thus accelerating cooking time and ensuring even baking.

### Conventional Cooking

The top and bottom heating elements operate without the fan. This provides traditional style cooking suitable for baking cakes, cookies and fluffy pastry.

### Multi-Dimensional Cooking

Multidimensional cooking is the new generation of professional cooking technology that activates all heating elements on a multidimensional level. The upper, lower, and fan heating elements - combined with the fan - all work simultaneously to provide the most even heat and temperature distribution possible. This function enables cooking large pieces such as a big turkey or meat perfectly.

### Strong Grill

The perfect option for quick grilling. Toast your favourite meals or finish off your recipes with a crispy top.



## Fan Grilling

This function is perfect for cooking crispy fish, chicken fillets, or meat cutlets. The fan circulates the heat to maintain all-over cooking.

## Booster Function

The booster function activates all heaters for quick pre-heating to reach the set cooking temperature.

## Low Grill

Ideal for grilling a relatively smaller amount of food, such as snacks or toast. The low grilling function activates only the middle part of the upper heater, which means energy is used more effectively, thus minimizing waste.



COOKING ACCESSORIES





## Non-Stick Tray

*Fast & easy cleaning*

Beko's ceramic-coated Non-Stick Trays or enamel coated Non-Stick Trays, you can wipe it off in no time at all. So it's perfect if you're a handwasher in a hurry.



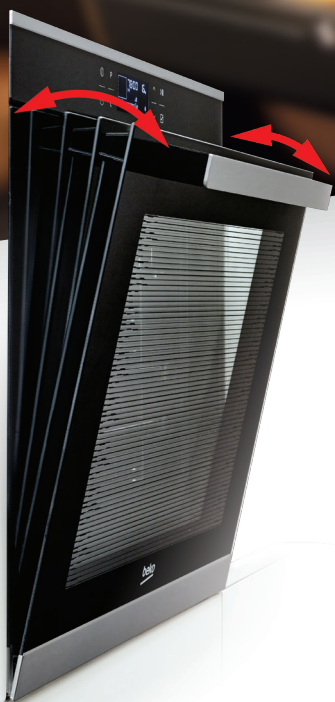
## Full Size Tray

*Cook more servings in one go*

Beko oven trays are large enough to cook up to 25% more food in one go. So all of your family can enjoy the hot meal at the same time. Plus, in addition to the size, the 55 mm deep tray is ideally suited for roasting or baking.



EASE OF USE



## SoftDoor™

*Smooth and quiet*

Newly designed Beko SoftDoor™ on your oven. You've managed to open and close the oven door extremely softly and super quietly.





## Led Illumination®

*Your masterpiece in the spotlight*

Additional LED lamp on the side walls of the oven so you can have the perfect light for those crispy colours. Now you can admire your creation in all its splendour and you can check on it as often as you want, without opening the door and losing precious heat. And when the time has come, right before you open up that glass door, you can just hit the shutter button and send it off to the world: #inoven #perfectdinner #nofilter.

## Cooking Guide inDoor

*Cooking programs always at hand*

The cooking functions are written on the inner door glass saving you the effort of remembering which function should be used for each dish. Now where were you?

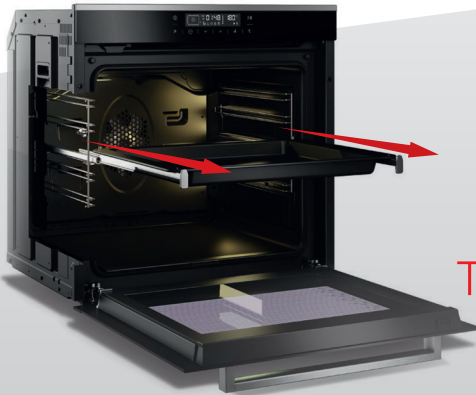
## EASE OF USE



### CookMaster®

*More capacity in  
the same size*

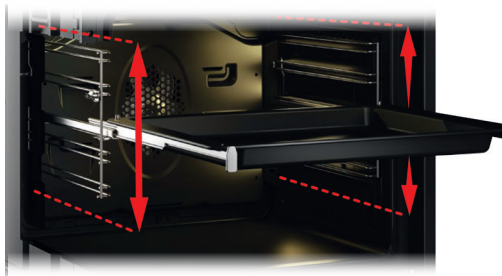
With Beko CookMaster® the more the merrier, the 82 Litre capacity means you can cook lots of food in one go - even though it's the same size as a standard oven. You can even get 5 shelves cooking perfectly evenly at the same time, with the additional hot air distribution if you have Beko Surf® technology too.



### Telescopic Shelves

*Safe & easy pull-out*

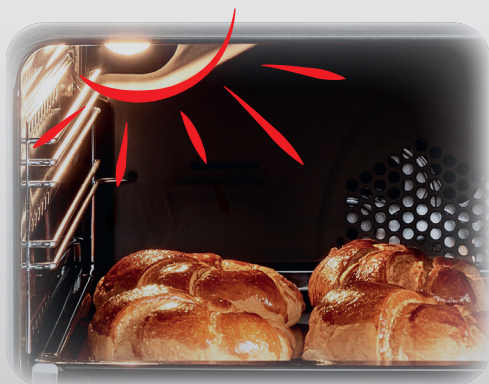
Telescopic shelves let you ergonomically retrieve heavy dishes from the oven - safely and easily. The full extension telescopic shelf comes out of the oven completely - for maximum ease. Partial telescopic shelves come 2/3 of the way out. So you can do the big reveal without the tragedy of dropping a cake on the floor. Or spilling the casserole. Plus you can easily turn over your bagels without any tricky balancing acts. Phew.



## Flexi Telescopic Shelves

*Easy access for any level*

Telescopic shelves let you ergonomically retrieve heavy dishes from the oven - safely and easily. And they're flexible, so you can easily put your telescopic shelves on any level you like for easy access.



## Halogen Illumination

*Your masterpiece in the spotlight*

Added new halogen lights to the left corner of our ovens - so you can see your masterpiece with ease. After all, the first bite is with the eyes.



# CLEANING TECHNOLOGIES







# CleanZone®

*One swipe cleaning*

Beko revolutionary CleanZone® technology come with...

Comes with the inner glass doors of Beko ovens are coated in oleophobic technology which resists dirt and grime the same way you resist the idea of scrubbing the oven on a Saturday afternoon. Its excellent easy clean features mean you don't need to use heavy duty products or spend valuable time and effort cleaning oven doors. A quick clean with a soft cleanser and a piece of cloth every twenty uses is all you need.

## CLEANING TECHNOLOGIES

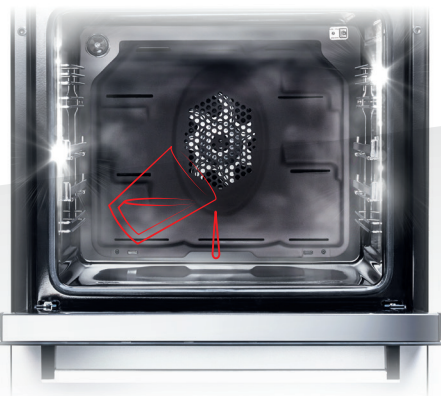


### Pyrolytic Self-Cleaning

*From grease to ash*

Introducing Beko's Pyrolytic Self-Cleaning feature. Over 120 minutes for heavy soiling, or 90 minutes for light soiling - the latter uses 25% less energy too\*. This feature will heat up to 480°C and turn stubborn stains into ash, which can just be wiped away. What's more, there are pyro-proof accessories like trays, side racks and telescopic shelves that all benefit from a quick blast too.

\*Tested by internal laboratories



### SteamShine® Cleaning

*Dissolve grease&stains*

With the Beko SteamShine® Cleaning, your oven will do all the letting off steam for you. Simply pour some water into the tray and as the water evaporates it will soften the food leftovers in your oven, making it easier to clean.



## Catalytic Walls

*Less grease & odours*

The catalytic panels mounted on the back and the sides of Beko ovens absorb cooking grease and reduce food odours. Thus eliminating the need for abrasive cleaning materials and harsh chemicals, and protecting your delicate hands.

## Removable Oven Door Glass

*Access for more thoroughly cleaning*

The removable glass on our oven doors allows you to go that extra mile and clean parts of your oven you didn't even dream about before.



## SAFETY FEATURES

### Durable Door

*Safe for up to 22.5kg*

Our oven doors with sleek yet really sturdy door hinges. They can carry a load as heavy as 22.5kg (20% more than the standard oven doors) so you can ditch your super heated pot right away. Right on that open oven door.



## Door & Key Lock

*Prevents accidental activations*

Beko ovens with electronic programmers are equipped with a door and key locking option to prevent the little ones from playing with the settings or opening the door while the oven is in operation. So at least they're safe around your oven.



## BIM25400XMS

Multifunctional Oven with 12 Cooking Functions

### Main Features

- Touch control LED Display
- Multidimensional cooking function
- Easy to clean & removable full glass inner door
- Easily detachable side racks, 5 levels
- Halogen lighting
- SoftClose Door®

### Technical Features

- A Energy Class
- Oven Capacity: 71L
- H x W x D: 59.5 x 59.4 x 56.7 cm



SoftClose®  
Door



Removable  
Full Glass Door



## BIM22301X

Multifunctional Oven with 8 Cooking Functions

### Main Features

- Digital LED programmable timer
- Multidimensional cooking function
- Easy to clean & removable full glass inner door
- Easily detachable side racks, 5 levels
- Interior lighting
- Key lock

### Technical Features

- A Energy Class
- Oven Capacity: 71L
- H x W x D: 59.5 x 59.4 x 56.7 cm



Removable  
Full Glass Door



Energy Class  
A



## BIM22100X

Multifunctional Oven with 8 Cooking Functions

### Main Features

- Mechanic programmer
- Multidimensional cooking function
- Easy to clean & removable full glass inner door
- Catalytic Side Walls
- Easily detachable side racks, 5 levels
- Interior lighting

### Technical Features

- A Energy Class
- Oven Capacity: 71L
- H x W x D: 59.5 x 59.4 x 56.7 cm



Removable  
Full Glass Door



Energy Class  
A



## BCW15500XG

TalentChef™ Oven with Microwave Assisted Cooking Function

### Main Features

- Touch Control Text LCD With Automatic cooking menus
- Booster function for quick pre-heating
- CleanZone®
- Key lock
- Automatic cooking programs

### Technical Features

- A Energy Class
- Oven Capacity: 40L
- H x W x D: 59,5 x 59,4 x 56,7 cm



Booster  
Function



TalentChef™



Energy Class  
A



## SPECIFICATION



Model	BIM25400XMS	BIM22301X	BIM22100X	BCW15500XG
Capacity (L)	71	71	71	40
Voltage (v)	220-240	220-240	220-240	220-240
Frequency (Hz)	50	50	50	50
Product Type	Built In	Built In	Built In	Built In
No. of Cooking Functions	12 functions	8 functions	8 functions	10 functions
Oven Type	Multifunctional Cooking	Multifunctional Cooking	Multifunctional Cooking	Fan Heating - With Grill
Oven Control Panel Type	Metal + Glass Panel	Metal Panel	Metal Panel	Metal + Glass Panel
Display / Timer	LED Display - Touchcontrol	LED Display - Touchcontrol	Mechanical Minute Minder - with Cut-off	LCD Display - Touchcontrol
Door Opening Type	Drop down	Drop down	Drop down	Drop down
No. of Front Door Glasses	3	3	3	3
Inner Door Type	Full Glass (Removable)	Full Glass (Removable)	Full Glass (Removable)	Full Glass (Removable)
Soft Close	Yes	-	-	-
Door Lock	-	-	-	-
3D Cooking	Yes	Yes	Yes	-
Microwave Assisted Cooking	-	-	-	Yes
Steam Assisted Cooking	-	-	-	-
Booster Function	Yes	-	-	Yes
Defrost Function	Yes	Yes	Yes	Yes
Grill Type	Electric Grill	Electric Grill	Electric Grill	Electric Grill
Oven Control Type	Electronic Control	Mechanical Control	Mechanical Control	Electronic Control
Pyrolytic Self Cleaning System	-	-	-	-
Odour Filter	-	-	-	-
Steam Cleaning	-	-	-	-
Nano Coating on Inner Glass	Yes	-	-	-
Interior Light	1 x Round light (Rear) + 1 x Square light (Right)	1 x Round light (Rear)	1 x Round light (Rear)	1 x Round Halogen light (Rear)
Side Racks	5 levels	5 levels	5 levels	-
Telescopic Pull-out Shelf System	1 Level (Standard)	-	-	-
Inner Light With Door Opening	Yes	-	-	Yes
Cooling Fan	Yes	Yes	Yes	Yes
Steam Assisted Cooking	-	-	-	-
Steam Cleaning	-	-	-	-
Conventional Cooking	Yes	Yes	Yes	-
Fan Assisted Cooking	Yes	Yes	Yes	-
Bottom Heating	Yes	Yes	Yes	-
Fan Heating	Yes	Yes	Yes	Yes
Grill with Fan	Yes	-	-	-
Electric Grill	Yes	Yes	Yes	Yes
Low Grill	Yes	-	-	Yes
Low Grill with Fan	-	Yes	Yes	-



beko



H O B S

COOKING



# HOBS



## Induction Hobs

Induction Hobs do not heat up themselves, but induce heat directly to magnetic cookware (like stainless steel, enamelled, cast iron or mixed aluminium) through electromagnetic waves, thus saving time up to 55% and consuming 43% less energy. They are also really easy to clean and are totally touch safe.

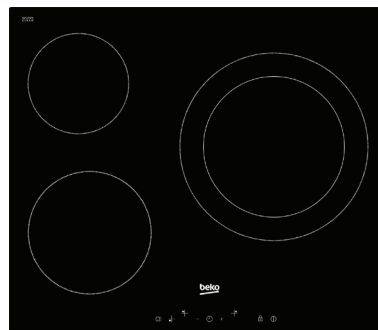






## VitroCeramic Hobs

Stylish VitroCeramic Hobs look great in nicely designed kitchens, as their neat glass plate seamlessly integrates with the furniture. They work by heating coiled elements beneath the toughened glass surface and radiating that heat up to the pan.









INDUCTION/  
VITROCERAMIC  
HOBS

COOKING

## CONTROL UNIT TYPES



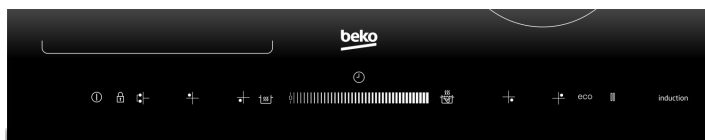
### Direct Access Premium

Led-illuminated controls that allow the hob to go totally black when switched off. Has separate controls for each zone with 15 power levels slider, timers, Automatic cooking function, Booster and Hob - Hood Connectivity. Comes with child lock.



### Direct Access Plus

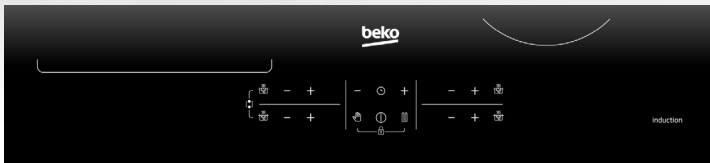
Separate control for each zone with On/off buttons, +/- adjustments for the 9 power levels, Timers, Autocook function and Booster. Comes with child lock function.



### Touch Sensitive Control

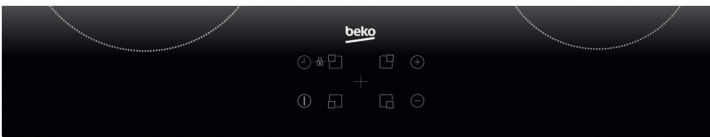
Highly accurate Touch Sensitive & Sliding central panel with 19 cooking levels controls each of the zones. Timer can be set for each zone individually. Comes with child lock function.





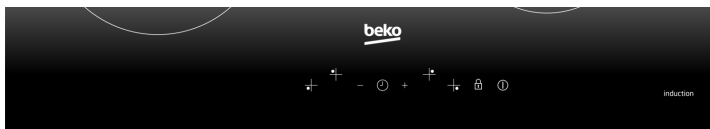
## Direct Access

Separate control for each zone with +/- adjustments for the 9 power levels. Comes with child lock function.



## Touch Control

Touch control buttons allow choosing from 9 power levels. Timer can be set for each zone individually. Comes with child lock function.



## Slim Touch Control

Touch control buttons on slim line design allow choosing from 9 power levels. Timer can be set for each zone individually. Comes with child lock function.

INDUCTION/VITROCERAMIC HOBS





## IndyFlex+<sup>®</sup>

*Fully flexible cooking space*

As all use-every-pan-cooks know, if you've got a big family, big appetite or simply a big pan, your hob can sometimes get a little crowded with pans not sitting properly over the rings. And who wants half cooked pasta? With Beko IndyFlex+<sup>®</sup>, you get the flexibility to configure the hob to fit the number and size of the pans you're cooking with, combining zones as you need. 8 independent cooking zones give you plenty to play with if you're cooking lots of small dishes like tapas. Or you can flexibly merge up to 4 zones on the left or right hand side to create large cooking zones for your biggest pans or an oven dish if you want to. So you can use either 2 big pans or 8 small pans. Of course, using the right sized zone could make your food cook quicker too - all the better for pleasing the home crowd. Mamma mia!

## INDUCTION/VITROCERAMIC HOBS

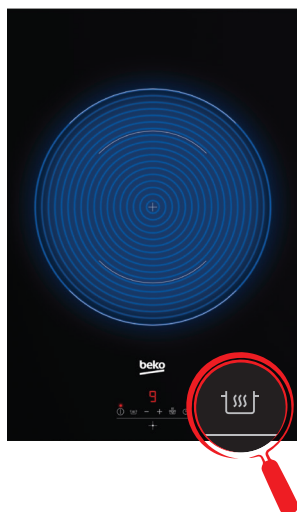


### IndyFlex®

*Flexible cooking space*

Show-off-cooks often think big is better. Of course, cooking for lots of people on the hob could be a squeeze. That's where the flexibility of Beko IndyFlex® comes in. It lets you configure the hob to suit, letting you merge 2 zones together to create 1 (or 2) big cooking zones as you need them. So whether it's a big pan roasting a whole salmon or a giant dish of spaghetti carbonara, it can sit on the hob quite happily. Remember to put it on the table with a big flourish as well.

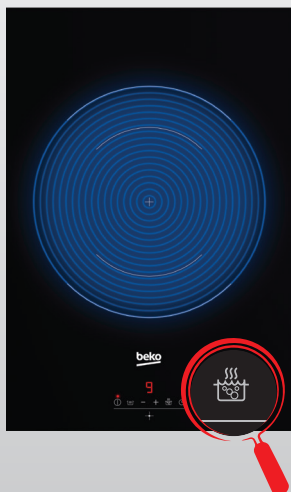




## Automatic Cooking Function

*1 button for 3 functions*

Cookery contortionists twist themselves in knots to get the timings right on their dishes. But the Automatic Cooking Function from Beko makes all those impressive pan acrobatics a thing of the past. You're able to choose from three handy pre-saved cooking settings: Fry, Simmer and Keep Warm. So now the only stretching you have to do is upwards to press the button.



## Booster

*Quick heat*

Beko Booster button, clever Beko technology lets you heat up your cooking zone to maximum power level instantly. So your food will cook quickly - and no-one need know you were running late.

## INDUCTION / VITROCERAMIC HOBS



### EasyPlug

*Do it yourself*

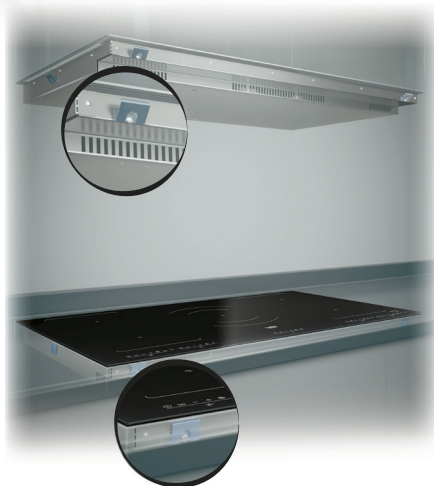
You want a lovely new induction hob - so fast, so clean - but keep-it-simple types can do without the hassle of finding a competent electrician to install it. That's where Beko's EasyPlug feature comes in. Just plug your new hob into a standard socket and you're done! It's as simple as that.



## EasyFit

*Clip & Go*

Beko's clever EasyFit feature, you can now install your new appliance in just 5 seconds. The mounted clips on the side of the hob can secure it sturdily in any place without having to use screws or fixing features. So you can go back to just relaxing... Although you'd probably better get someone to look at that hole in the roof.





## INDUCTION/VITROCERAMIC HOBS

### Power Management Function

*Max power consumption easily set*

Beko Induction Hobs come with a Power Management function, which allows you to set a maximum power consumption level. You can choose between 5 levels of power and then reset it whenever you wish. So you can make sure you don't overload your home's electrical system or that you can apply for a low cost energy subscription plan.

### WipeGuard®

*Lock controls for cleaning*

Beko WipeGuard® you'll have time to wipe away any mess without changing any of your cooking settings on your hob. That's because all buttons are locked for 20 seconds, so an accidental wipe won't turn them up – or off. Right, you're covered. So, let's cook on. No messing.

### Stop&Go™

*Pause all zones with a touch*

With Stop&Go™ technology from Beko, you can simply pick up where you left off. Turn off all zones on the hob with the touch of a button and then back on again to exactly where they were, to carry on cooking. Beko Stop & Go™ makes it easy. If only there was a button to do all your other jobs for you .





## Memory Function

*Record your most-used heat setting*

With the Memory Function on your Beko hob, you can record your most-used heat setting then just press the button to set any selected zone to this heat level. No more pressing up and down. So you can shave off valuable seconds and get that meal on your lap before the referee blows his whistle.

## Choosing Flexibility

*Configurable cooking zones*

Beko Ceramic Hobs are equipped with a versatile cooking zone that offers the flexibility of cooking between single, double, triple or extended operation levels, according to the size of your cookware. Providing the not-so-regular cooking zones for the not-so-regular cooks.

## Safety Features

*Helping you stay safe*

Since these days there's nothing that you do without taking your eyes off from your smartphone, we thought our Touch Sensitive Control Hobs should address your lack of attention. That's why we equipped them with a number of advanced safety features:

- when cooking zone is not cool enough to touch safely, residual heat indicators warn you with a visible "H" on display
- in case of liquids boiling over the control panel, the anti-overflow system automatically cuts off the power
- if the cooking zone is left on for a long period of time, the hob automatically switches itself off
- if you have kids, you can use the Electronic Child Lock to deactivate the control panel.

Stay safe and enjoy your absent-minded cooking!



## HII 68600 PTX

60cm IndyFlex® Hob

### Main Features

- Front touch control
- 8 Induction zones with 2 Flexinduction zones
- Front Left: 2x94x225mm - 2500W
- Rear Left: 2x94x225mm - 2500W
- Front Right: 2x94x225mm - 2500W
- Rear Right: 2x94x225mm - 2500W
- 18 cooking levels per zone
- Booster function for quick heating
- Timer & Buzzer
- On-off indicator light

### Safety Features

- Key lock
- Overflow safety for control unit
- Automatic shut-off
- Overheat safety system
- Residual heat indicators

### Technical Features

- Total Electric Power (kW): 7,2
- H x W x D: 5,5 x 58,0 x 51,0 cm



IndyFlex®



EasyFit



Booster



## HII 64500 FHT

60cm IndyFlex Hob

### Main Features

- Touch Sensitive Control
- 4 Induction with 1 Flexinduction zone
- Front Left: Ø180mm - 1800/3000W (boost)
- Rear Left: Ø180mm - 1800/3000W (boost)
- Front Right: Ø145mm - 1500/2200W (boost)
- Rear Right: Ø210mm - 2000/3700W (boost)
- 19 cooking levels per zone
- Booster function for quick heating
- Timer & Buzzer
- On-off indicator light
- Eco mode

### Safety Features

- Key lock
- Overflow safety for control unit
- Automatic shut-off
- Overheat safety system
- Residual heat indicators

### Technical Features

- Total Electric Power (kW): 7,2
- H x W x D: 5,5 x 58,2 x 51,2 cm



IndyFlex®



Touch Sensitive Control



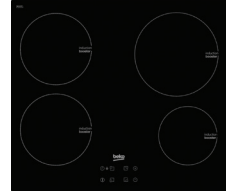
EasyFit



Booster



Wipe Guard™



## HII 64400 AT

60cm Induction Hob

### Main Features

- Front touch control
- 4 Induction zones
- Front Left: Ø180mm - 2000/2300W (boost)
- Rear Left: Ø180mm - 2000/2300W (boost)
- Front Right: Ø145mm - 1600/1800W (boost)
- Rear Right: Ø210mm - 2000/2300W (boost)
- 9 cooking levels per zone
- Booster function for quick heating
- Timer & Buzzer
- On-off indicator light

### Safety Features

- Key lock
- Overflow safety for control unit
- Automatic shut-off
- Overheat safety system
- Residual heat indicators

### Technical Features

- Total Electric Power (kW): 7,2
- H x W x D: 5,5 x 58,0 x 51,0 cm



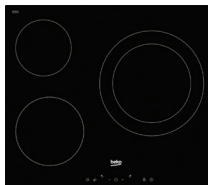
Touch Control



EasyFit



Booster



## HIC 63401 T

60cm Vitroceramic Hob

### Main Features

- Front slim touch control
- 3 Vitroceramic zones
- Front Left: Ø180mm - 1800W Hi-light
- Right Zone: Ø210/270mm - 1800/2700W Hi-Light
- Rear Left: Ø140mm - 1200W Hi-light
- 9 cooking levels per zone
- Timer & Buzzer

### Safety Features

- Key lock
- Overflow safety for control unit
- Automatic shut-off
- Overheat safety system
- Residual heat indicators

### Technical Features

- Total Electric Power (kW): 5.7
- H x W x D: 5.5 x 58.0 x 51.0 cm







**GAS  
HOBS**

**COOKING**



# FlameAdjust™

*Precise heat control*

Our new Beko Gas Hobs with FlameAdjust™ have extra precise power level selection, allowing you to get perfectly replicable results every time you cook. The elegant knobs with electronic level indicators come with 9 levels of power, so when you catch that perfect taste, you can replicate it by simply using the same heat level again. Plus, being illuminated, the knobs let you know what's happening even from a distance. With all the control at your fingertips, it's time to turn your culinary ventures into a thing of precision.

## GAS HOBS



### High Power Wok Burner

*Maximising cooking power*

The Beko High Power Wok Burner gives you an extremely intense flame at a hot 4.3kw. This allows heat to be more evenly distributed across the bottom of the pan - improving cooking performance and cooking your noodles in a shorter time.



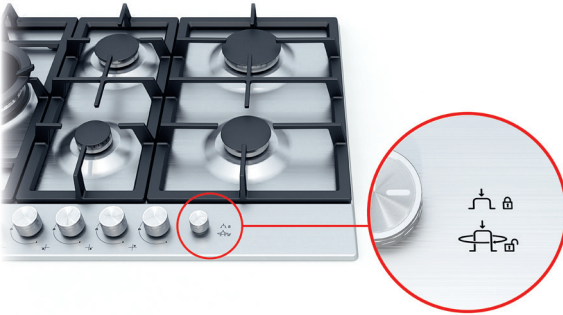
### PractiClean™

*10x easier cleaning  
with special coating*

Beko Hobs with PractiClean™ are super easy to clean. The special coating on the metal surface makes it 10 times easier to clean than standard burner plates. It's so good that you cannot even leave fingerprints on it.

\*Tested by internal laboratories

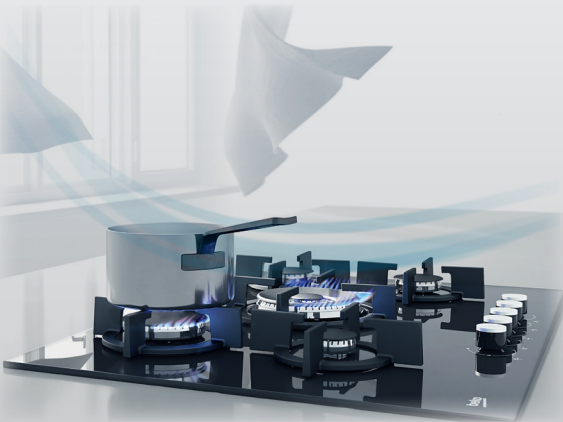




## Easy Lock Function

*Preventing accidental activations*

Easy Lock Function from Beko is useful on your hob. It stops any inquisitive small fingers from accidentally turning on knobs. You're able to shut down all the burners at the same time, so you can effectively use it as a child lock. You can answer the door and not worry that any would-be-junior-chefs will be stepping into your shoes while your back is turned.



## Gas Safety

*Automatic gas cut-off*

Should the wind blow in and blow your gas flames out, or your pan boils over while you're under the spell of a gripping storyline, this safety feature will automatically turn your gas supply off, keeping you safe. No leaks. No worries. No way did he just say that!

\*Tested by internal laboratories



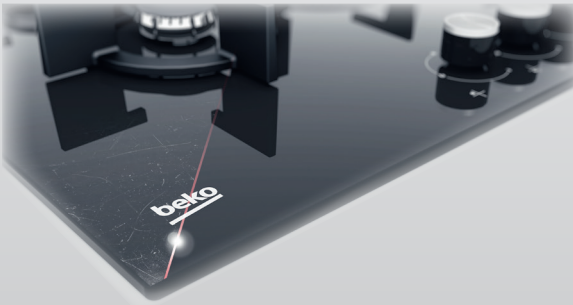
## GAS HOBS



### Cast Iron Pan Support

*No slip ups*

Favourite-pot-fans don't want their precious dinner spilling because of the pot rocking or tilting on the hob. That's where Beko Cast Iron Pan Supports can help. They offer maximum stability to all shapes and sizes of pans. Plus they add some professional style to your hob. A bonus for those who like good food that looks good while it's brewing too.



### Tempered Glass Surface

*Scratch resistant*

Introducing the Beko Glass Surface hob, easy-to-clean, scratch resistant, gorgeous and beautifully reflective – perfect for people, like you, who have great taste.



## HISW 72225 SOB

75cm Gas Hob with 2 Wok Burner

### Main Features

- Front Knob Control
- Glass Burner Plate
- Cast Iron Pan Support
- Left: 4.3 kW
- Right: 4.3 kW

### Safety Features

- Gas Safety Device (Hob)

### Product Dimensions (mm)

- External (H x W x D) 143.9 x 750 x 450
- Installation (W x D) 710 x 410



Integrated  
electronic ignition



## HISW 73225 SOB

75cm Gas Hob with 1 Standard + 2 Wok Burner

### Main Features

- Front Knob Control
- Glass Burner Plate
- Cast Iron Pan Support
- Center: 1.8 kW
- Left: 4.3 kW
- Right: 4.3 kW

### Safety Features

- Gas Safety Device (Hob)

### Product Dimensions (mm)

- External (H x W x D) 143.9 x 750 x 450
- Installation (W x D) 710 x 410



Integrated  
electronic ignition



## HISW 92225 SOB

90cm Gas Hob with 2 Wok Burner

### Main Features

- Front Knob Control
- Glass Burner Plate
- Cast Iron Pan Support
- Left: 4.3 kW
- Right: 4.3 kW

### Safety Features

- Gas Safety Device (Hob)

### Product Dimensions (mm)

- External (H x W x D) 143.9 x 860 x 450
- Installation (W x D) 710 x 410



Integrated  
electronic ignition



## HISW 93225 SOB

90cm Gas Hob with 1 Standard + 2 Wok Burner

### Main Features

- Front Knob Control
- Glass Burner Plate
- Cast Iron Pan Support
- Center: 1.8 kW
- Left: 4.3 kW
- Right: 4.3 kW

### Safety Features

- Gas Safety Device (Hob)

### Product Dimensions (mm)

- External (H x W x D) 143.9 x 860 x 450
- Installation (W x D) 710 x 410



Integrated  
electronic ignition

## SPECIFICATION



Model	HII 68600 PTX	HII64500FHT	HII 64400 AT	HIC 63401 T	HISW 72225 SOB	HISW 73225 SOB	HISW 92225 SOB	HISW 93225 SOB
Product Type	Induction Hobs Built In	Induction Hobs Built In	Induction Hobs	Vitroc ceramic Hobs Built In	Gas Hob Built In	Gas Hob Built In	Gas Hob Built In	Gas Hob Built In
Hobs Width (cm)	60	60	60	60	75	75	90	90
Hob Burner Configuration	8 Induction with 2 Flexizones	4 Induction with 1 Flexizone	60 4 Induction	3 Vitroc ceramic	2 Wok	2 Wok + 1 Gas	2 Wok	2 Wok + 1 Gas
Number of Electric Zone-	8	4	4	3	-	-	-	-
Hob Display	LED Display - Touch Control	LED Display - Touch Slider Control	LED Display - Touch Control	LED Display - Touch Control	-	-	-	-
Voltage (v)	220-240	220-240	220-240	220-240	-	-	-	-
Frequency (Hz)	50	50	50	50	-	-	-	-
Gas Safety Device (Hob)	-	-	-	-	Yes	Yes	Yes	Yes
Ignition Type (Hob)	-	-	-	-	Integrated Ignition	Integrated Ignition	Integrated Ignition	Integrated Ignition
Hob Color	Black	Black	Black	Black	Black	Black	Black	Black
Pan support type	-	-	-	-	Single - Cast Iron	Single - Cast Iron	Single - Cast Iron	Single - Cast Iron
Installed Gas Type	-	-	-	-	LPG	LPG	LPG	LPG
Timer	Yes	Yes	Yes	Yes	-	-	-	-
Cooking Level	18	19	9	9	-	-	-	-
Booster	Yes	Yes	Yes	-	-	-	-	-
Bridge Function	-	Yes	-	-	-	-	-	-
Memory Function	-	-	-	-	-	-	-	-
Digital Display on Hob	Yes	Yes	Yes	Yes	-	-	-	-
Residual Heat Indicators	-	Yes	-	Yes	-	-	-	-
Display Lock	Yes	Yes	Yes	Yes	-	-	-	-
On/Off Light	Yes	Yes	Yes	-	-	-	-	-
Automatic pan recognition	Yes	Yes	Yes	-	-	-	-	-
Automatic shut-off	Yes	Yes	Yes	Yes	-	-	-	-
On-off Indicator light	Yes	Yes	Yes	-	-	-	-	-
Overflow safety for control unit	Yes	Yes	Yes	Yes	-	-	-	-
Overheat safety system	Yes	Yes	Yes	Yes	-	-	-	-
Depth (mm)	510	510	510	510	450	450	450	450
Width (mm)	580	580	580	580	750	750	860	860
Height (mm)	55	48	55	37	100	100	60	60
Weight (kg)	14.7	10.8	11	7.8	18.5	18.5	18.5	18.5



HOODS



COOKING





## Island Type Hoods

As island hoods are highly visible and blended into the living space, they come with high ventilation capacity, good illumination performance and a stylish decorative design.



# HOODS



## ProSmart™ Hood

*High efficiency, high durability,  
low noise levels*

The Beko ProSmart™ Inverter Motor is so efficient it saves up to 65%\* of the energy used by a normal hood. And since it's also 3 times quieter\* you can enjoy your midnight snack in silent comfort.

\*Tested by internal laboratories



## Intensive Ventilation

*65% more power*

Beko Intensive Ventilation is more efficient than the average cooker hood. It's got a booster setting that is 67%\* more powerful than the maximum setting, so you can use it to get rid of smells when you're grilling. You can totally refresh the air inside an average kitchen in about the time it takes you to demolish your steak.

\*Tested by internal laboratories



## Air Cleaning Mode

*Automatic hourly refreshment*

Air Cleaning Mode technology helps to quietly get rid of kitchen odours, without using much energy.

Every hour the cooker hood will automatically switch on for 10 minutes, at the minimum speed needed, totally refreshing the air in the kitchen. Beko Air Cleaning mode technology helps to keep everyone's kitchen smelling fresh - so no need to hold your nose.



## Remote Controller

*One button away*

Some people are wizards in the kitchen. Or so they think when they use their Beko Remote Controller to control the speed of their cooker hood, and to turn the light on and off when their mum's trying to fry an egg.





## HOODS

### Filter Saturation Light

*Reminds you to change the filter*

Filter saturation light and buzzer to remind you to clean your Beko Built-in Hood. Beko hoods measure the time interval between your last clean up and remind you to clean the filters so you can do it on time. Guarantees continuous efficient working of the hood. Easy-to-clean cassette filters or replaceable charcoal filter make cleaning easy.

### Auto Shut Down

*Switches off after 15'*

Beko Auto Shutdown technology gives you the convenience of being able to program your cooker hood. At just the press of a button, you can program it to switch off automatically after 15 minutes.

### Dishwasher Safe Cassette Filters

*Easy cleaning & degreasing*

Beko dishwasher-safe cassette filters that can be popped out of the hood easily, and popped straight into your dishwasher. Time saving and nail saving. Lovely.



## Led Illumination®

*Your masterpiece in the spotlight*

Beko's LED Illumination® your whole hob will be bathed in beautiful light and your cooking made crystal clear. Plus the LED will save you energy too. Bonus.

## Carbon Filters

*Say goodbye to odours*

Beko's built-in hoods have carbon filters to keep the air circulating and get rid of any unwelcome cooking odours. So traditional or modern, chimney or no chimney, your kitchen will always feel fresh.

## Low Noise Operation

*Reduces working sound levels*

New Beko hoods include ProSmart™ technology to keep the motor noise right down. Insulated with a special coating, the air sucking sound levels are decreased by up to 7 dBA. So you can carry on in the kitchen without missing any juicy gossip. Perfect.



### HCB93845BXH

90cm Wall Mounted T-shape Cooker Hood, Prosmart Motor

#### Main Features

- Prosmart Motor for maximum energy efficiency
- Intensive ventilation capacity: 750 m3/h
- 4 Power Level
- Touch Control
- Dishwasher Safe Filters
- Metal Perimetral Panel Grease Filters
- Charcoal Filter
- Filter Saturation Indicator
- Air Cleaning Function
- Auto Shut-Down
- Remote controller for Hood
- Recirculation or Ducted Operation Mode

#### Energy Ratings

- Overall Energy Efficiency Class: A+

#### Product Dimensions (mm)

- H x W x D: 915 x 900 x 490



### HCI91845BXH

90cm Built-in Island Cooker Hood, Prosmart Motor

#### Main Features

- Prosmart Motor for maximum energy efficiency
- Intensive ventilation capacity: 750 m3/h
- 4 Power Level
- Touch Control
- Dishwasher Safe Filters
- Metal Perimetral Panel Grease Filters
- Charcoal Filter
- Filter Saturation Indicator
- Air Cleaning Function
- Auto Shut-Down
- Remote controller for Hood
- Recirculation or Ducted Operation Mode

#### Energy Ratings

- Overall Energy Efficiency Class: A+

#### Product Dimensions (mm)

- H x W x D: 915 x 900 x 490



### HCB93041XB

90cm Wall Mounted T-Shape Cooker Hood

#### Main Features

- Intensive ventilation capacity: 1,000 m3/h
- 4 Power Level
- Touch Control
- Dishwasher Safe Filters
- Metal Baffle Grease Filters
- Charcoal Filter
- Auto Shut-Down
- Recirculation or Ducted Operation Mode

#### Product Dimensions (mm)

- H x W x D: 930 x 898 x 500

 ProSmart™ Hood  
 HobToHood™  
 HomeWhiz  
 Intensive Ventilation  
 Energy Class

 ProSmart™ Hood  
 HobToHood™  
 HomeWhiz  
 Intensive Ventilation  
 Energy Class

 Auto Shut-Down  
 Intensive Ventilation



## HCB93042X

90cm Wall Mounted T-Shape  
Cooker Hood

### Main Features

- Intensive ventilation capacity: 1,000 m<sup>3</sup>/h
- 4 Power Level
- Touch Control
- Dishwasher Safe Filters
- Metal Baffle Grease Filters
- Charcoal Filter
- Auto Shut-Down
- Recirculation or Ducted Operation Mode

### Product Dimensions (mm)

- H x W x D: 930 x 898 x 500



## HCG92940B

90cm Wall Mounted Curved Glass  
Cooker Hood

### Main Features

- Intensive ventilation capacity: 950 m<sup>3</sup>/h
- 3 Power Level
- Touch Control
- Dishwasher Safe Filters
- Metal Baffle Grease Filters
- Charcoal Filter
- Auto Shut-Down
- Recirculation or Ducted Operation Mode

### Product Dimensions (mm)

- H x W x D: 765 x 898 x 460



Auto Shut-Down



Intensive  
Ventilation



Auto Shut-Down



Intensive  
Ventilation



## SPECIFICATION



Model	HCI91845BXH	HCB93845BXH	HCB93041XB	HCB93042X	HCG92940B
Product Type	Built In Hood - Island	Built In Hood - Wall Mounted (Box Style)	Built In Hood - Wall Mounted (Box Style)	Built In Hood - Wall Mounted (Box Style)	Built In Hood - Curved Glass
Voltage (v)	220-240	220-240	220-240	220-240	220-240
Frequency (Hz)	50-60	50	50	50	50
Color - Body	Inox	Inox	Inox	Inox	Inox
Intensive Ventilation (m3/h)	750	750	1000	1000	950
Intensive Setting (Booster)	Yes	Yes	-	-	-
No. of Power Levels	4	4	4	4	3
Hood Motor Type	ProSmart Inverter	ProSmart Inverter	Regular motor	Regular motor	Regular motor
Sound Power dB(A)	57	57	66	66	66
Hood Width (cm)	90	90	90	90	90
Control Type	Electronical Control - Touch Control	Electronical Control - Touch Control	Electronical Control - Touch Control	Electronical Control - Touch Control	Electronical Control - Touch Control
Type of Lighting	LED	LED	Halogen	Halogen	LED
No. of Lights	4	2	2	2	2
No. of Grease Filters	3	3	3	1	2
Type Of Grease Filters	Metal - Perimetral Panel	Metal - Perimetral Panel	Metal - Baffle Filter	Metal - Baffle Filter	Metal - Casette
Dishwasher Safe Filters	Yes	Yes	Yes	Yes	Yes
Charcoal Filter	Yes	Yes	Yes	Yes	Yes
Filter Saturation Indicator	Yes	Yes	-	-	-
Air Cleaning Function	Yes	Yes	-	-	-
Auto Shut-Down	Yes	Yes	Yes	Yes	Yes
Remote Controller for Hood	Yes	Yes	-	-	-
Air Diverter (Recirculated Operation)	Yes	Yes	Yes	Yes	Yes
Flape (Ducted Operation)	Yes	Yes	Yes	Yes	Yes
Fitting Kit (screws)	Yes	Yes	Yes	Yes	Yes
Reducer Flange (ducting Spigot)	Yes	Yes	Yes	Yes	Yes
Depth (mm)	490	490	500	500	460
Width (mm)	900	900	898	898	898
Height (mm)	915	915	365	350	496
Weight (kg)	36.1	31.9	11.3	11.3	11.3





DISHWASHERS





# DISHWASHERS



\*Available in 45cm slimline dishwashers





## AqualIntense®

*Improved performance on heavily soiled dishes*

Beko AqualIntense® - a special 'Intensive Zone' - takes over washing the pots and pans you hate, with up to 5 times better cleaning performance\*. The higher washing pressure in the lower basket means perfect cleaning results - even for heavily soiled pans like the dried on minced meat in that lasagna dish. Don't worry about pre-rinsing either, just pop your dirty dishes in the special 'Intensive Zone'. So handwashing-haters have no need for the rubber gloves and can relax in front of the TV. Great.

\*Tested by internal laboratories with intensive 70 programs

# DISHWASHERS



soft touch shelves



20X life span for glassware



steam gloss





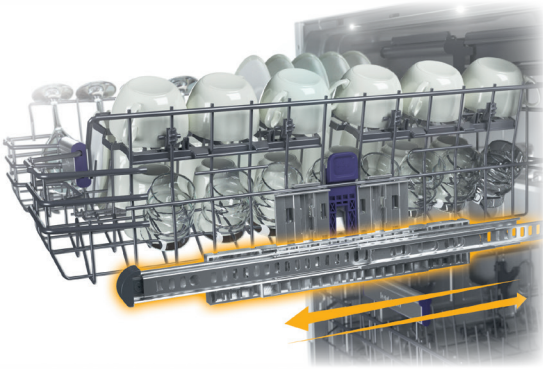
# Ultimate Glass Care

*20x life span for glassware*

With Beko Ultimate Glass Care, dress-to-impress types needn't worry. It protects your glassware, making it clear and shiny enough to impress any guest. Auto GlassShield® technology offers a 20 times\* increased lifetime guarantee compared to standard dishwashers, protecting your best glasses from cloudiness and irradiance. Shininess is guaranteed with SteamGloss® - it gives 23%\* more glossy glassware and 30%\* more glossy china - oh the joy. Ultimate Glass Care 40°C program is a special cycle designed for glasses, which gently washes your glasses at 40°C, helping your favourite glasses to last much longer.

\*Tested by 3rd party laboratories

## DISHWASHERS



### SmoothMotion+™ Basket

*Smooth and safe  
basket movement*

No matter how impatient or in a rush you are, when you handle fancy dinnerware and glassware, your moves automatically get smoother. So you'll be happy to know that when you place them inside the new Beko Dishwasher, it will be just as careful as you. It offers a smart feature that prevents your dishes from damaging, by smoothing the sliding action of the baskets on an extended telescopic rail system. So your tableware will be handled smoothly all along.



### Direct Access Control

*One touch program/  
function selection*

Beko dishwashers have new top control systems which enable you to select programs and functions through direct access. The screen allows you to control and manage various functions on a single compact display - one touch style. It also offers a program follower that enables you to see the duration of the selected program and warning indicators.

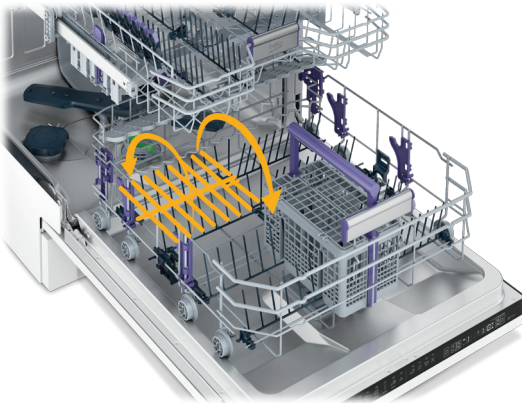




## 3-Position Acrobat System

*Flexible loading options*

When you're a talented cook, you will eventually start hosting parties where your tasty culinary ventures are the main feature. And since everyone needs to have a bite, this means larger trays or cookware - that afterwards need to be washed. Luckily, the upper basket of the new Beko Dishwashers has a 3 position loaded adjustment mechanism for loading different sizes of dishes easily. So however big your dishes are, loading is no longer a problem.

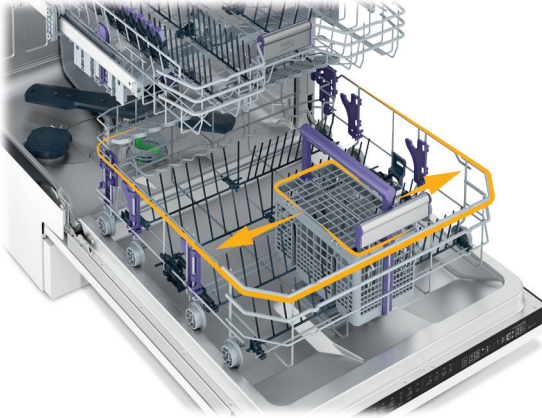


## Easy Fold Plate Support

*Folding tines*

Big families are fun. And cooking in large pots and pans for big families can be fun as well. But washing the oversized cookware afterwards might not be that fun. Unless you can easily fit them inside your dishwasher. That's why in the new Beko Dishwashers, the lower basket plate supports can be easily folded away to create space for large pots and pans. So the big family can be fun all the way.

## DISHWASHERS



### Sliding Cutlery Basket

*Full sliding basket*

Finding the perfect order to stack up the dishes so they can all fit nicely inside the dishwasher could be a nice puzzle game. But chances are you're not always in the mood for games. That's why the cutlery basket in the new Beko Dishwashers comes with improved flexibility to help you organise dishes in the lower basket more easily. And solve the puzzle effortlessly.



### AquaDrop® 6L

*6L per cycle*

With AquaDrop® your dishwasher has an inbuilt ProSmart™ Inverter Motor to increase the effectiveness of water spray, a higher capacity water storage tank and new design discharge pump which enables it to reach 6L water per cycle and helps it to get 13 place settings of dishes sparkling clean. A big opportunity for clean cups.



## ProSmart™ Inverter Motor

*High efficiency, high durability,  
low noise levels*

The ProSmart™ Inverter Motor in your dishwasher is not only 2 times quieter\* than most (due to no friction in your motor). It also helps to save energy, with ratings up to A+++ (-10%)\* and save water, by using only what's necessary. That's a load off your mind. Now with the ProSmart™ Inverter Discharge Pump available in selected models, you'll have even more silent washing cycles.

\* Tested by internal laboratories



## Fast+ Function

*Up to 3x faster cleaning*

The Fast+ function from Beko in your dishwasher gives you an amazing 3 times faster cleaning performance\*. It can save you 70%\* of your valuable time while getting your dishes sparkling clean too - giving you all the more time to spend making sparkling conversation with your guests.

\* Tested by internal laboratories

## DISHWASHERS



### TrayWash™

*High pressure  
saves time & energy*

The TrayWash™ innovation saves you time and energy with a special design that lets you place two trays in the lower basket and one in the upper, secured by tray holding accessories. A strong high pressure tray clean program and extra rinse does the hard work for you. So you can get back to the easy life.



### SlidingFit & SlidingFit+

*Perfect furniture integration*

With SlidingFit and SlidingFit+ feature to your dishwasher. Clever mechanism means the furniture door will slide on the dishwasher door when it opens. This reduces the plinth height making it possible for you to have a longer kitchen furniture door. Or, you can totally remove the need for a plinth with SlidingFit+. So, you can get a smooth finish in your kitchen and harmony will reign.

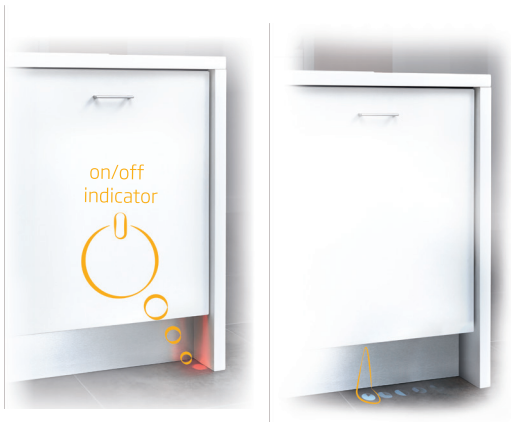




## SelfFit®

*Door stable at any angle*

Now, with the Beko SelfFit® door, you have infinite options. Your dishwasher door can be kept open at any position, which makes loading and unloading much easier. There's also no need for any more weight adjustment with SelfFit® as furniture doors up to 9kg can be assembled. It's all so easy and works like a dream. Lovely.



## LedSpot™

*Program status indicator*

That's where the Beko LedSpot™ on your dishwasher can help: a red light indicator on the floor at the base of the machine quickly tells you whether it's running or not.



## DISHWASHERS

### Auto Program

The Auto Program smart sensors detect the dirtiness level of your dishes and determine the optimum wash cycle automatically. Thus your dishes are sparkly clean using the minimum of required water and energy.

### Clean&Shine™ Program

Clean & Shine™, provides A class washing and A class drying performance, not only for lightly soiled items, but for normally soiled pots and dishes as well in just 90 minutes.

### Mini Program

Perfect for lightly soiled dishes and glasses, the Mini Program washes a full load in 30 minutes at 35°C, thus saving time and energy.

### BabyProtect+®

Beko BabyProtect+® has a special program that includes antibacterial settings and special accessories to take care of your babies' health along with the rest of the dishes. It means you can be assured of 99.9999% hygiene\*.

There's also an antibacterial seal, an additional rinsing step, and a final hot 70°C rinsing that's perfect for babies bottles. Plus, there's even a special baby bottle holder in the lower basket.

\*Tested by 3rd party laboratories.

### Quick&Shine™ Program

Quick & Shine®, a unique program that guarantees exceptional A class drying performance for daily soiled dishes. This cycle cleans and dries your dishes in just 58 minutes and provides perfect shine.



## Eco 50°C Program

A program that cares for the environment as well as your dishes. Ideal washing cycle for normally soiled dishes to save energy.

## AquaFlex®

AquaFlex® technology provides efficient and gentle washing at the same time. Adjusting water pressures to the lower and upper baskets, providing A class washing and drying results for all kind of dishes, even plastics.

## Inner Clean Filter

The special cycle provides inner machine cleaning by heating the water up to 73°C. With this program, you don't need to worry about hygiene of your dishwasher.

## Flexible Half Load

There's no need to wait for both racks to be fully loaded. The Flexible Half Load™ option allows you to load the upper and lower racks separately or together as required for easy and economical washing.

## Time Delay

The wash cycle can be delayed for three, six, or nine hours (up to 24 hours on digital models) enabling you to plan your wash time more flexibly while taking advantage of reduced electricity rates.



## DISHWASHERS

### Dirt Sensor

Dirt sensors detect the dirtiness level of your dishes and determine the optimum wash cycle automatically.

### WaterSafe™

In case of overflow, the WaterSafe™ system of Beko dishwashers cut off the water cuts into the machine.

### WaterSafe+™

Meet the water leakage preventing double security system. WaterSafe+™ provides extra safety by automatically shutting off the water supply if the water inlet hose begins to leak.





## Easy Assembly

The height of the rear feet can be adjusted from the front without taking the dishwasher out of its niche. Thanks to the smart front feet design, the appliances can be adjusted to fit a niche with +/-100 mm range, from 820 mm up to 920 mm.

## Fingerprint-Free Stainless Steel

Thanks to a special coating on the stainless steel surfaces of selected models your dishwasher always looks spotless, clean and shiny.

## Extra High Interior

Specially designed for the new generation of worktops with a height of 86 cm to 92 cm, dishwashers with an extra-high interior provide greater inner dimensions, thus offering the capacity for loading trendy XL sized plates in the lower basket.

## LED Illumination

Inside of your dishwasher is no more a place of mystery. Inner illumination of dishwashers offers you a clear view of the inside.

# DISHWASHERS



## DIN26X22

60 cm Fully Built in Dishwasher

### Performance

- Energy Efficiency Class: A++
- Water Consumption: 11 L
- Drying Performance: A
- Number of Place Settings: 14
- Noise Level: 46 dB(A)

### Programs

- Number of Programs: 6
- Programs: Eco 50, Auto, Mini 30, Intensive 70, Quick&Shine®, Prewash
- InnerClean

### Functions

- Fast+ Function, SteamGloss®, Half Load, Up to 24 h Time Delay

### Specifications

- Active Fan Drying, SelfFit®, WaterSafe+™

### Flexibility

- TrayWash™ Accessory
- Height Adjustable Mug Shelves
- Number of Easy Fold Glass Supports: 3
- Number of Easy Fold Plate Supports: 4

### Dimensions

H x W x D: 81.8 x 59.8 x 55.0 cm



SelfFit®



SteamGloss®



Fast+ Function



Energy Class



## DFN28J21X

60 cm Fully Built in Dishwasher

### Performance

- Energy Efficiency Class: A++
- Water Consumption: 11 L
- Drying Performance: A
- Number of Place Settings: 14
- Noise Level: 46 dB(A)

### Programs

- Number of Programs: 9
- Programs: Eco 50, Auto, Mini 30, Intensive 70, Quick&Shine®, Prewash, InnerClean, Baby Protect

### Functions

- Fast+ Function, SteamGloss®, Half Load, Up to 24 h Time Delay

### Specifications

- Active Fan Drying, SelfFit®, WaterSafe+™

### Flexibility

- TrayWash™ Accessory
- Height Adjustable Mug Shelves
- Number of Easy Fold Glass Supports: 3
- Number of Easy Fold Plate Supports: 4

### Dimensions

H x W x D: 81.8 x 59.8 x 55.0 cm



SelfFit®



SteamGloss®



Fast+ Function



Energy Class



## DFN28R22W

60 cm Fully Built in Dishwasher

### Performance

- Energy Efficiency Class: A++
- Water Consumption: 9.5 L
- Drying Performance: A
- Number of Place Settings: 14
- Noise Level: 43 dB(A)

### Programs

- Number of Programs: 8
- Programs: Eco 50, Auto, Mini 30, Intensive 70, Quick&Shine®, Prewash, InnerClean, GlassCare 40

### Functions

- Fast+ Function, SteamGloss®, Half Load

### Specifications

- Active Fan Drying, SelfFit®, WaterSafe+™

### Flexibility

- TrayWash™ Accessory
- Height Adjustable Mug Shelves
- Number of Easy Fold Glass Supports: 3
- Number of Easy Fold Plate Supports: 4

### Dimensions

H x W x D: 60 x 59.8 x 85.0 cm



AquaIntense®



SelfFit®



SteamGloss®



Fast+ Function



Energy Class



## DFN05R10W

60 cm Fully Built in Dishwasher

### Performance

- Energy Efficiency Class: A+
- Water Consumption: 12 L
- Drying Performance: A
- Number of Place Settings: 12
- Noise Level: 49 dB(A)

### Programs

- Number of Programs: 5
- Programs: Eco 50, Auto, Mini 30, Intensive 70, Quick&Clean

### Specifications

- Active Fan Drying, SelfFit®, WaterSafe+™

### Flexibility

- TrayWash™ Accessory
- Height Adjustable Mug Shelves
- Number of Easy Fold Glass Supports: 3
- Number of Easy Fold Plate Supports: 4

### Dimensions

H x W x D: 60 x 59.8 x 85.0 cm



SelfFit®



SteamGloss®



Fast+ Function



Energy Class

## SPECIFICATION



Model	DIN26X22	DFN28J21X	DFN28R22W	DFN05R10W
Product Type	Fully Built In	Freestanding	Freestanding	Freestanding
Tub Material	Stainless Steel Tub	Stainless Steel Tub	Stainless Steel Tub	Stainless Steel Tub
Design & Color specifications	-	Inox - Fingerprint Proof	White	White
Screen Type	LCD	LCD	LCD	LED
Voltage (v)	220-240	220-240	220-240	220-240
Frequency (Hz)	50	50	50	50
No.of Place Settings	14	14	14	12
Number of Programs	6	9	8	5
Program 1	InnerClean	InnerClean	InnerClean	-
Program 2	Eco 50	Eco 50	Eco 50	Eco 50
Program 3	Auto	Auto	Auto	NA
Program 4	Intensive 70	Intensive 70	Intensive 70	Intensive 70
Program 5	Quick&Shine	Quick&Shine	Quick&Shine	Quick&Clean
Program 6	Mini 30	Mini 30	Mini 30	Mini 30
Program 7	Prewash	Prewash	Prewash	-
Program 8	-	GlassCare 40	GlassCare 40	-
Program 9	-	Baby Protect	-	-
Program 10	-	-	AquaFlex	-
Energy Efficiency Class	A++	A++	A++	A+
Water Consumption	11L	11L	9.5L	12L
Noise Level - dB(A)	46	46	43	49
Drying Performance	A	A	A	A
Function 1	Half Load	Half Load	Half Load	-
Function 2	Fast+ Function	Fast+ Function	Fast+ Function	-
Function 3	SteamGloss	SteamGloss	SteamGloss	-
Function 4	TrayWash	TrayWash	-	-
Function 5	-	-	AquaIntense	-
Steam/Extra Drying Function	Yes	Yes	Yes	-
Intensive Lower Rack Washing Function	Yes w/o Extra Spray Arm	Yes w/o Extra Spray Arm	Yes with Extra Spray Arm	-
Water Safety System	Overflow Safety	Overflow Safety	Overflow Safety	Overflow Safety
Dirt Sensor	Yes	Yes	Yes	-
Circulation Motor Type	Pro Smart Inverter	Pro Smart Inverter	Pro Smart Inverter	Standard
Upper Basket Adjustment Type	3 Position Loaded Adjustable	3 Position Loaded Adjustable	3 Position Loaded Adjustable	Loaded adjustable
Mug Shelf	Adjustable	Adjustable	Adjustable	Adjustable
Light Indicator on floor for FBI	Yes	-	-	-
Depth (mm)	818	850	850	850
Width (mm)	598	598	598	598
Height (mm)	550	600	600	600
Weight (kg)	36	45.8	49.6	42.6

Due to continual improvements through research and development, Beko reserves the right to make any changes to the specifications and features of the products without prior notice. As a result, you may find differences between the products described in the catalogue and the product you receive. Beko can not be held responsible for printing mistakes.



## Ovens Product Dimension

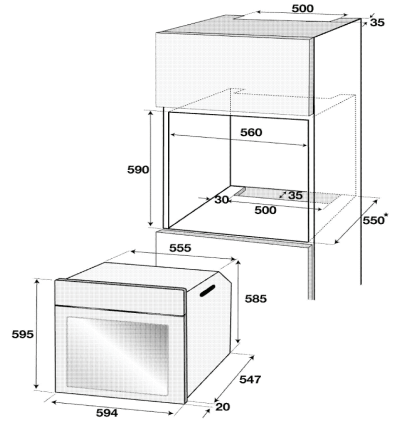
### BIM22301X BIM25400XMS BIM22100X

**External Dimensions (mm)**

- H x W x D: 595 x 594 x 567

**Installation Dimensions (mm)**

- W x D: 590 or 600 x 560 x 550 (min)



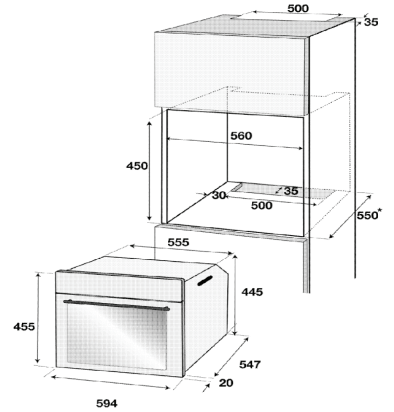
### BCW15500XG

**External Dimensions (mm)**

- H x W x D: 455 x 594 x 567

**Installation Dimensions (mm)**

- W x D: 450 or 460 x 560 x 550 (min)



## Induction Hob Product Dimension

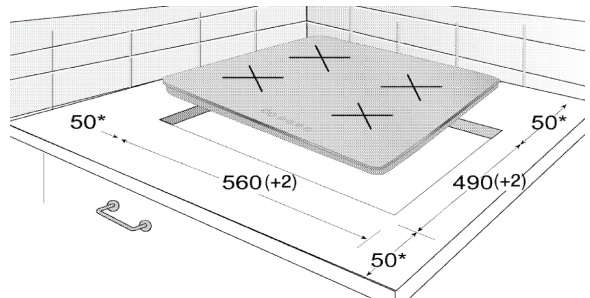
### HII 64400 AT HII 68600 PTX HII 64500FHT

**External Dimensions (mm)**

- H x W x D: 55 x 580 x 510

**Installation Dimensions (mm)**

- W x D: 560 x 490

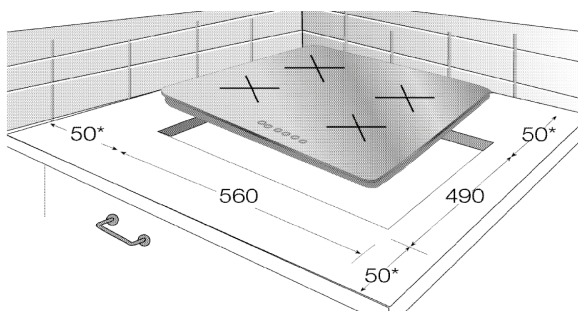


**HIC 63401 T****External Dimensions (mm)**

- H x W x D: 55 x 580 x 510

**Installation Dimensions (mm)**

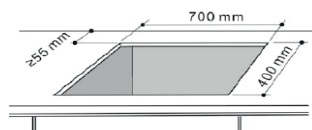
- W x D: 560 x 490

**HISW 72225 SOB****HISW 73225 SOB****HISW 93225 SOB****HISW 92225 SOB****External Dimensions (mm)**

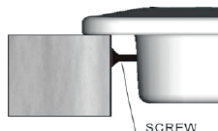
- H x W x D: 143.9 x 750 x 450

**Installation Dimensions (mm)**

- W x D: 710 x 410

**Fig. D**

Fit to the cutout—Assembly Diagram



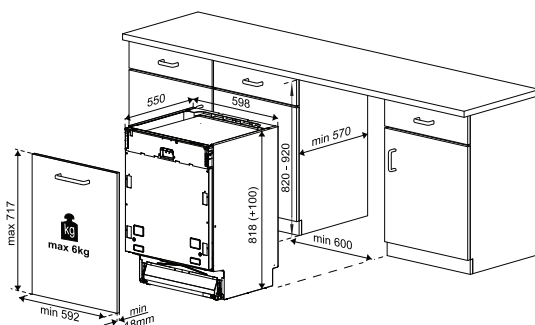
SCREW

**DIN26X22****External Dimensions (mm)**

- H x W x D: 818 x 598 x 550

**Installation Dimensions (mm)**

- H x W x D: 918 x 600 x 570



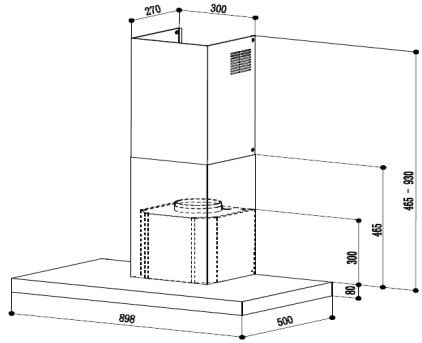
Hood Product Dimension

---

**HCB93041XB**

**External Dimensions (mm)**

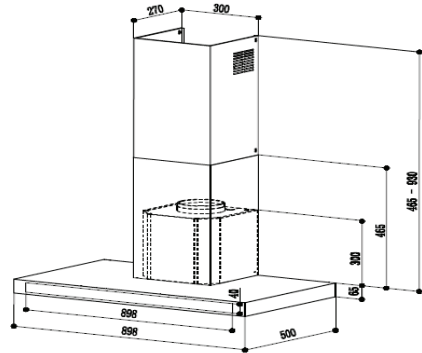
• H x W x D: min 465 max 930 x 898 x 500



**HCB93042X**

**External Dimensions (mm)**

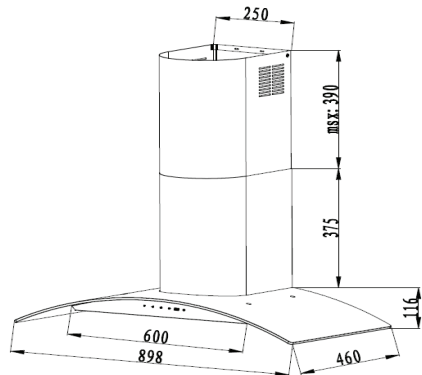
• H x W x D: min 465 max 930 x 898 x 500



**HCG92940B**

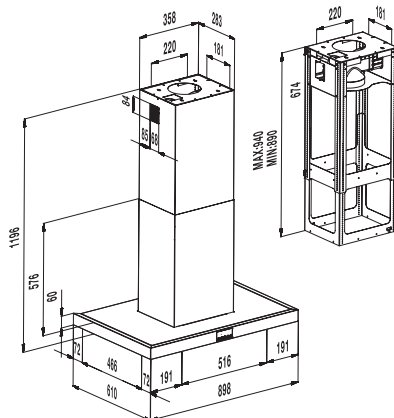
**External Dimensions (mm)**

• H x W x D: min 375 max 765 x 898 x 460

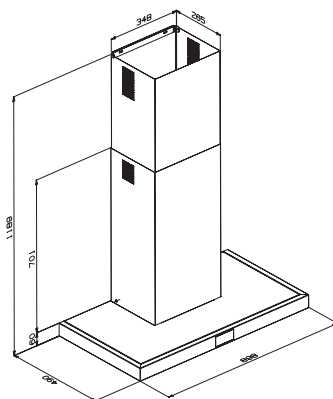


**HCI918458BXH****External Dimensions (mm)**

• H x W x D: 1196 x 898 x 610

**HCB91845BXH****HCB93845BXH****External Dimensions (mm)**

• H x W x D: 1189 x 898 x 490

**Built-in Collection**

Due to continual improvements through research and development, Beko reserves the right to make any changes to the specifications and features of the products without prior notice. As a result, you may find differences between the products described in the catalogue and the product you receive. Beko can not be held responsible for printing mistakes.



# beko

**BEKO APPLIANCES MALAYSIA SDN. BHD.**

Suite 17.03, Level 17, Menara Sapura Kencana Petroleum,  
Solaris Dutamas, No.1, Jalan Dutamas 1,  
50480 Kuala Lumpur, Malaysia.  
BEKO APPLIANCES MALAYSIA SDN. BHD. (1161022-P)  
[www.beko-my.com](http://www.beko-my.com)

**BEKO SERVICE CENTER**

Block A G3  
Boulevard Business Park  
Taman Kok Lian, Jalan Kuching  
51200 KL



[www.beko-my.com](http://www.beko-my.com)



bekoMalaysia



018-9404550



1800-88-2356

Beko Careline: